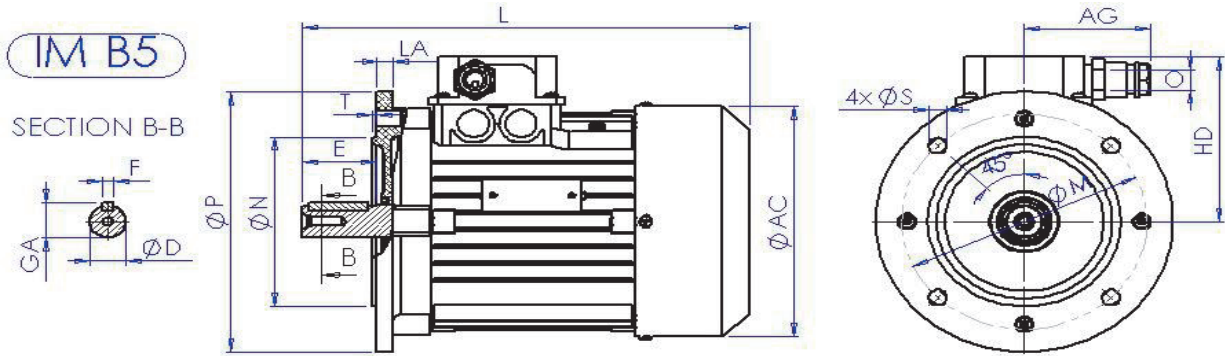


Drehstrommotoren - Reihe AT, AT2
Three-Phase Electric Motors - Series - AT, AT2
Aussenabmessungen und Anbaumasse - IMB5
Overall and Joining Dimensions - IMB5



TYP TYPE	Abmessungen, Dimensions [mm]												Welle, Shaft [mm]			
	Flansch Flange	P	N	LA	M	T	AC	AG	HD	L	S	O	D	E	GA	F
AT 63	A140	140	95	10	115	3	123	61	102	211	9	M16	11	23	12.5	4
AT 71	A160	160	110	10	130	3.5	138		109	234	10		14	30	16	5
AT 80	A200	200	130	11	165	3.5	160	80	128	273	12	M20	19	40	21.5	6
AT 90 S, AT2 90 S							178		127	308			24	50	27	8
AT 90 L, AT2 90 L							194		140	375	28		60	31	8	
AT 100 L, AT2 100 L	A250	250	180	12	215	4	218	150	150	385	14.5	M25	38	80	41	10
AT 112 M, AT2 112 M							245		178	450						
AT 132 S, AT2 132 S	A300	300	230	19	265	4	245	85	178	450	14.5	M25	38	80	41	10
AT 132 M, AT2 132 M										490						